



## AOM SPRAY EQUIPMENT

5005 SANBUSCO DR. NE  
RIO RANCHO, NM 87144  
PHONE: 505-867-1946  
FAX: 505-867-1948



### **HVLP WATER BASE SPRAY GUN 6008SSPxx**

#### **TECHNICAL DATA**

**Stainless steel fluid passage and nozzle, needle set**

**Maximum spray air pressure: 3 bar (43 PSI)**

**Suggested air pressure: 2 bar (29 PSI)**

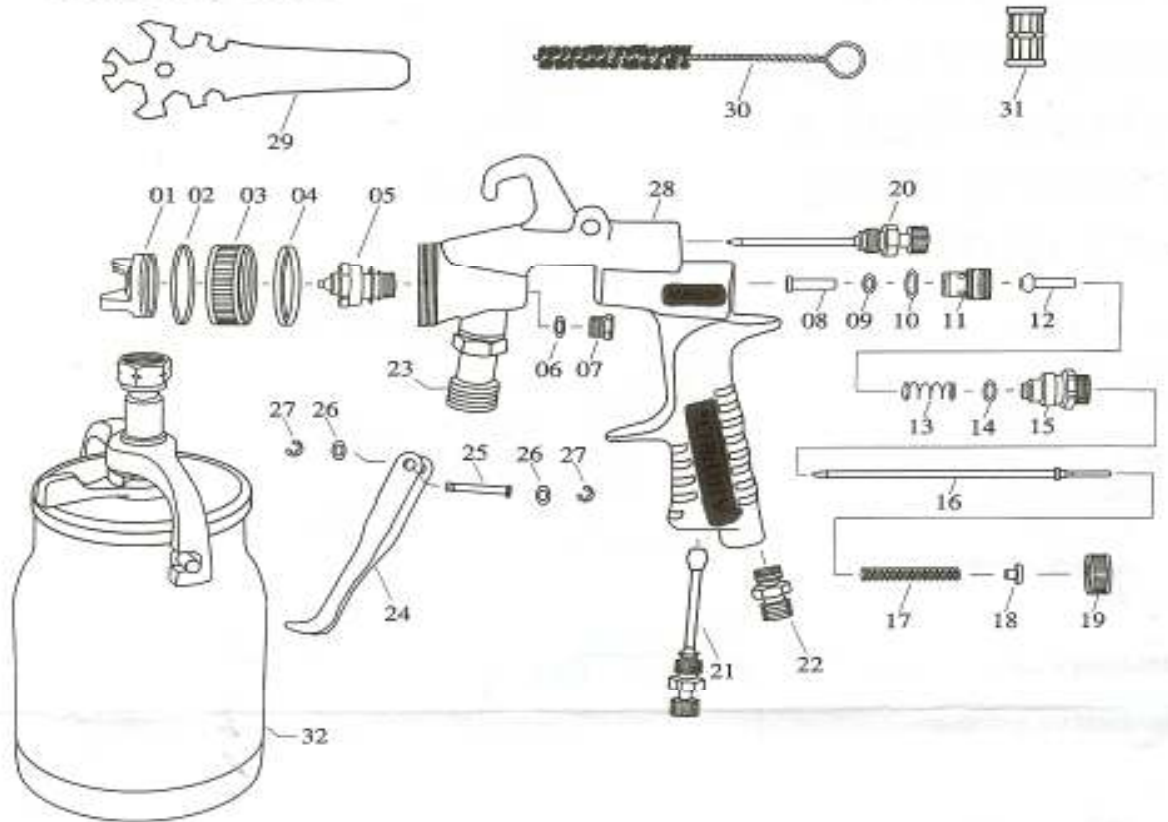
**Weight: .45 kg for gun only**

**Nozzle sizes available: 1.0mm, 1.3mm, 1.4mm, 1.5mm, 1.8mm, 2.0mm, 2.5mm**



AOM Spray Equipment  
 7289 Park Drive  
 Bath, PA 18014  
 484-281-3451

# 600B WB



ITEM NO.	DESCRIPTION	ITEM NO.	DESCRIPTION
01	Air Cap	17	Fluid Needle Spring
02	Teflon Packing	18	Plastic Packing
03	Aluminum Cap	19	Fluid Adjustment Knob
04	Nylon Packing	20	Pattern Adjustment Valve Set
05	Fluid Nozzle	21	Air Adjustment Valve Set
06	Needle Packing Teflon	22	Air Hose Joint
07	Needle Packing Nut	23	Fluid Nipple
08	Air Valve Shaft	24	Trigger
09	O' Ring 9 x 1	25	Trigger Pin
10	O' Ring 10.6 x 1.65	26	Washer
11	Brass Air Valve Body Set	27	Locking Ring
12	Air Valve	28	Gun Body
13	Spring for Valve	29	Spanner
14	O' Ring 8 x 1.5	30	Brush
15	Fluid Needle Guide	31	Material Strainer
16	Fluid Needle Set	32	Aluminum Cup