



AOM SPRAY EQUIPMENT

5005 SANBUSCO DR. NE

RIO RANCHO, NM 87144

PHONE: 505-867-1946

FAX: 505-867-1948

HIGH VOLUME LOW PRESSURE GRAVITY FEED SPRAY GUN

878WB



TECHNICAL DATA

Suggested inlet pressure: 2 bar (29 PSI)

Air consumption: 4 CFM at 29 PSI

Weight: 280 grams for gun only.




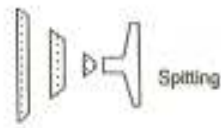
Spray gun distance to object: about 4" to 6"

Recommended viscosities on a Ford #4 viscosity cup 15 - 23 seconds.

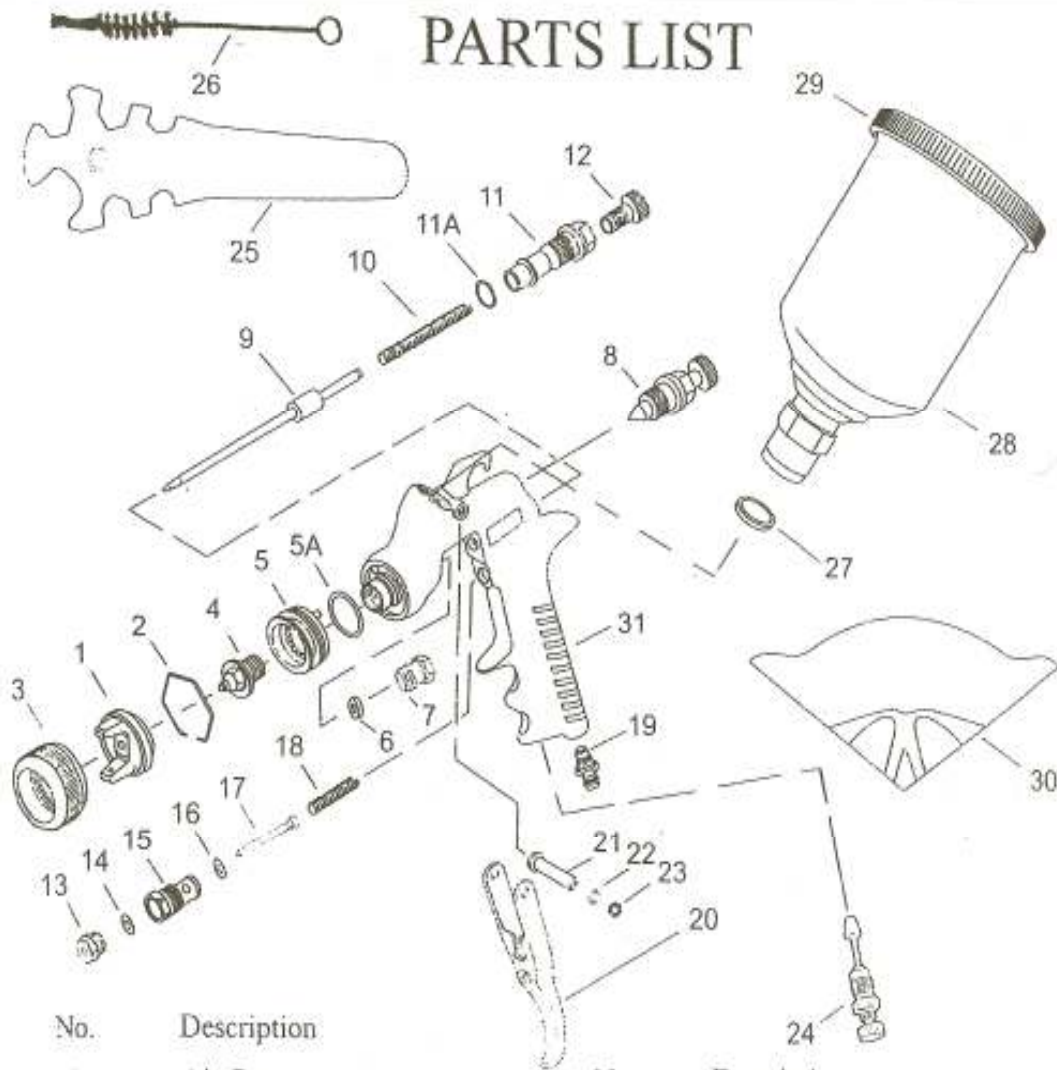
For more detail on viscosities see your Paint Supplier

Nozzle sizes: 0.8mm, 1.0mm, 1.2mm, 1.5mm

TROUBLESHOOTING

SPRAY PATTERN/ CONDITION	PROBLEM	SOLUTION
	One side of nozzle wing is clogged.	Soak nozzle in solvent to loosen clog, then blow air through until clean. To clean orifices use a broom straw or toothpick. Never try and detach dried material with sharp tool.
	A.) Loose air nozzle. B.) Material around outside of air nozzle has dried.	A.) Tighten air nozzle. B.) Take off air nozzle and wipe off fluid tip, using rag moistened with thinner.
	A.) Atomization air pressure is set too high. B.) Trying to spray a thin material in too wide a pattern.	A.) Reduce air pressure. B.) Increase material control by turning fluid control screw to left, while reducing spray width by turning spray width adjustment screw to right.
	A.) Packing around needle valve is dried out. B.) Fluid nozzle loosely installed, or dirt between nozzle and body. C.) Loose or defective swivel nut on siphon cup.	A.) Back up knurled nut, put a few drops of machine oil on packing, re-tighten nut. B.) Take off fluid nozzle, clean rear of nozzle and seat in gun body. Replace nozzle and bring in tight to body. C.) Tighten or change out swivel nut
Improper spray pattern.	A.) Gun improperly adjusted B.) Dirty air cap C.) Fluid tip obstructed D.) Sluggish Needle	A.) Readjust gun. Follow instructions carefully. B.) Clean air cap C.) Clean D.) Lubricate.
Unable to get round spray.	Fan adjustment screw not sealing properly.	Clean or replace.
Will not spray.	A.) No air pressure at gun. B.) Fluid pressure too low with internal mix cap and pressure tank. C.) Fluid control screw not open enough. D.) Fluid too heavy for suction feed.	A.) Check air supply and air lines. B.) Increase fluid pressure at tank. C.) Open fluid control screw. D.) Thin material or change to pressure feed.
Fluid leakage from packing nut.	A.) Packing nut loose. B.) Packing worn or dry.	A.) Tighten, but not so tight as to grip needle. B.) Replace packing or lubricate
Dripping from fluid tip.	A.) Dry packing. B.) Sluggish needle C.) Tight packing nut. D.) Worn fluid nozzle or needle.	A.) Lubricate. B.) Lubricate. C.) Adjust D.) For pressure feed, replace with new fluid nozzle and needle.
Thin, sandy coarse finish	A.) Gun held too far from surface B.) Atomization pressure set too high	A.) Move gun closer to surface. B.) Adjust atomization pressure
Thick, dimpled finish resembling orange peel	Gun held too close to surface	Move gun further from surface

PARTS LIST



No.	Description
1.	Air Cap
2.	Air Cap Retaining Ring
3.	Spring Clip
4.	Fluid Nozzle
5.	Baffle
5A.	Baffle Packing
6.	Needle Packing
7.	Needle Packing Nut
8.	Spreader Valve
9.	Needle
10.	Spring
11.	Body Bushing
11A.	O-Ring
12.	Needle Adjusting Screw
13.	Screw
14.	Teflon Seal
15.	Bushing

No.	Description
16.	P.V.C. Seal
17.	Air Valve Stem
18.	Spring
19.	Air Inlet Connector
20.	Trigger
21.	Trigger Pin
22.	Spring Washer
23.	E-Ring
24.	Air Adjustment Valve Set
25.	Spanner
26.	Brush
27.	Cup Packing
28.	125cc Nylon Cup
29.	Cup Lid
30.	Filter Paper
31.	Gun Body

