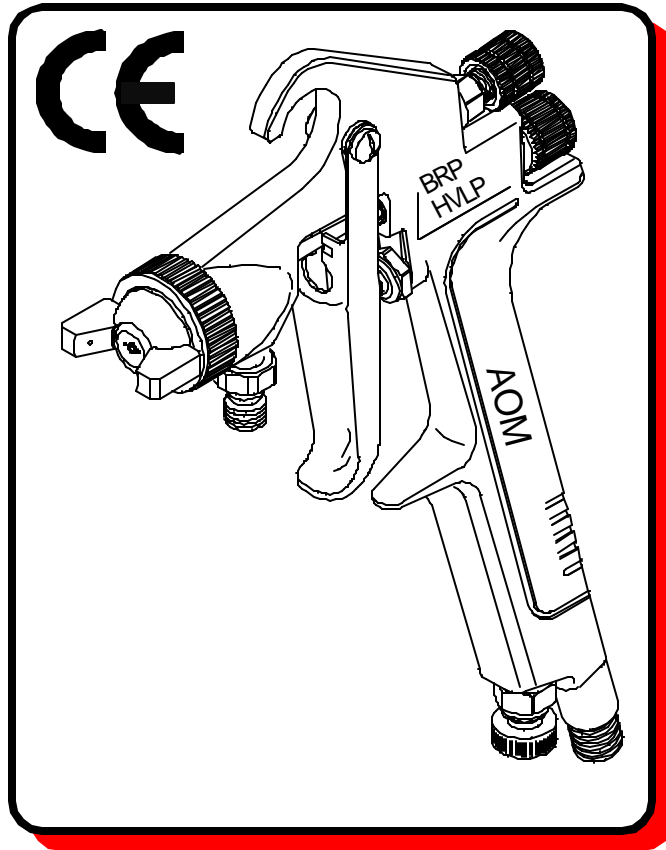


USE AND MAINTENANCE MANUAL



WRITTEN BY REDIMEC Snc
SETTIMO MILANESE (MI)

SPRAY GUN MOD. **BRP HVLP**

(Rev. 1 - 09/02/01)
USA - BRP HVLP - 1.0

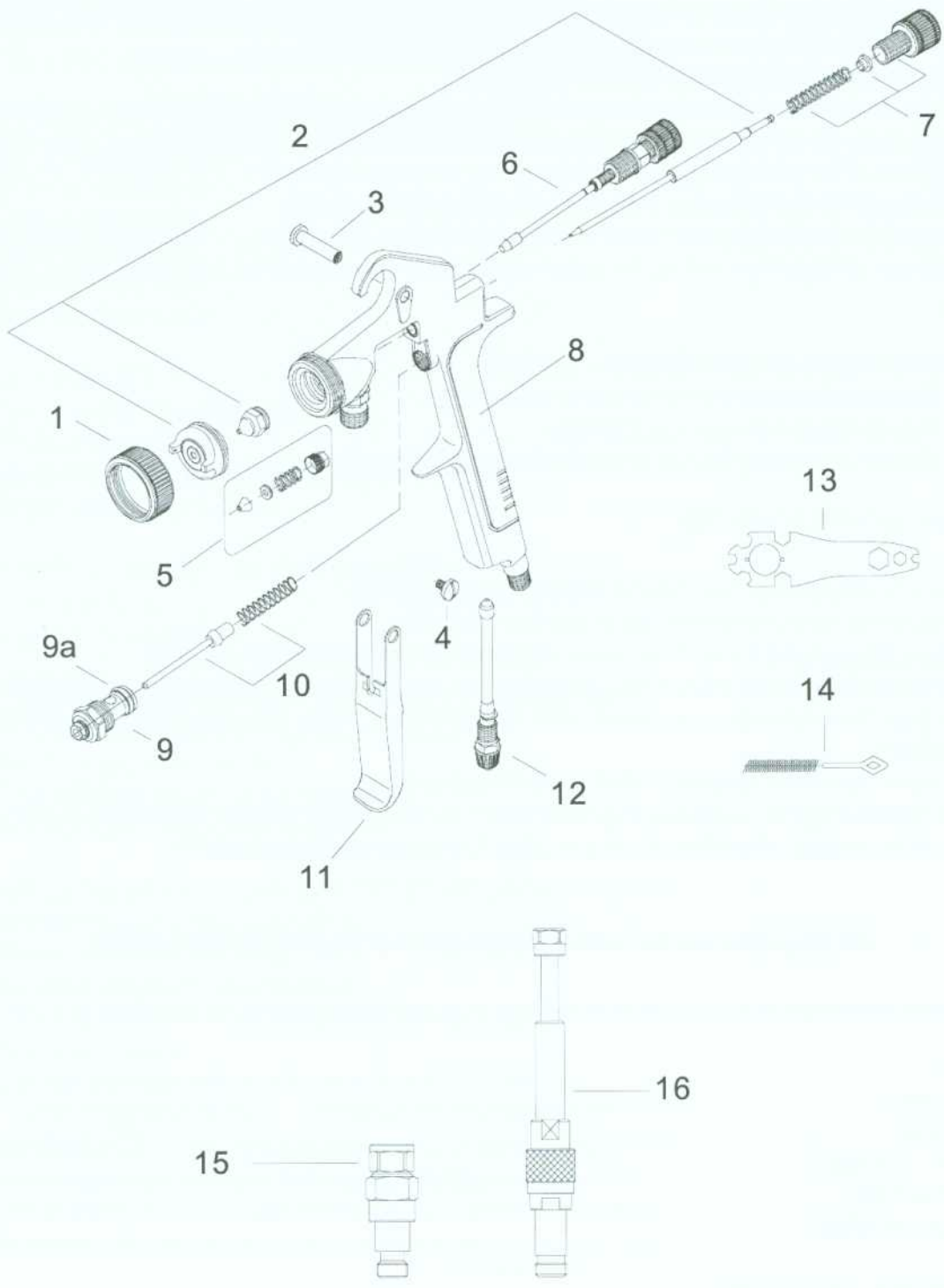
COMPANY
WITH QUALITY SYSTEM
CERTIFIED BY DNV
ISO 9001

Cert. -04985-99-AQ-MIL-SINCERT

USE AND MAINTENANCE MANUAL



SPRAY GUN ASSEMBLY DRAWING BRP/HVLP



USE AND MAINTENANCE MANUAL



SPRAY GUN COMPONENTS

POS.	CODE	Description
1	18677R	Air cap cover
2	202xx/2004	BRI HVLP 2004 new needle /nozzle /aircap kit
5	16535A	BRI needle packing kit
6	16519A/2004	BRI 2004 new fluid fan regulator
7	24046R	K1SSP needle stroke regulating knob with spring
8	16510/2004	Lower complete BRI body
9	18682A	Complete air valve
9a		Or (with kit 18345A only)
10	18178R	Complete air valve tightness kit
12	16583A	New complete pressure regulator (metal alloy)
13	24091R	Legend wrench
14	24097R	Cleaning brush
15	302090*	Filter holder M/F 1/4"
16	302034*	Stainless steel filter holder M/F 1/4" with 100M filter
3-4-11	18180R	BRI 2004 Trigger parts group

KIT

202xx / 2004 Needle / nozzle / Aircap kit (replace xx with the size needed) Pos. 2
 E.g.: 1.2 size gun ----- order code 2024 12 /2004

18345A Gaskets and springs kit

Q.tà	Descrizione
1	Knob plate
1	Needle pushing spring for under pressure gun
1	Complete Leg/Bri air valve bar
2	Needle packing spring
2	Zinc plated flat ring
2	Needle packing
1	Or (9a)
1	Air valve spring
1	Complete Leg/Bri air valve bar 2004
Parts not sold separately	